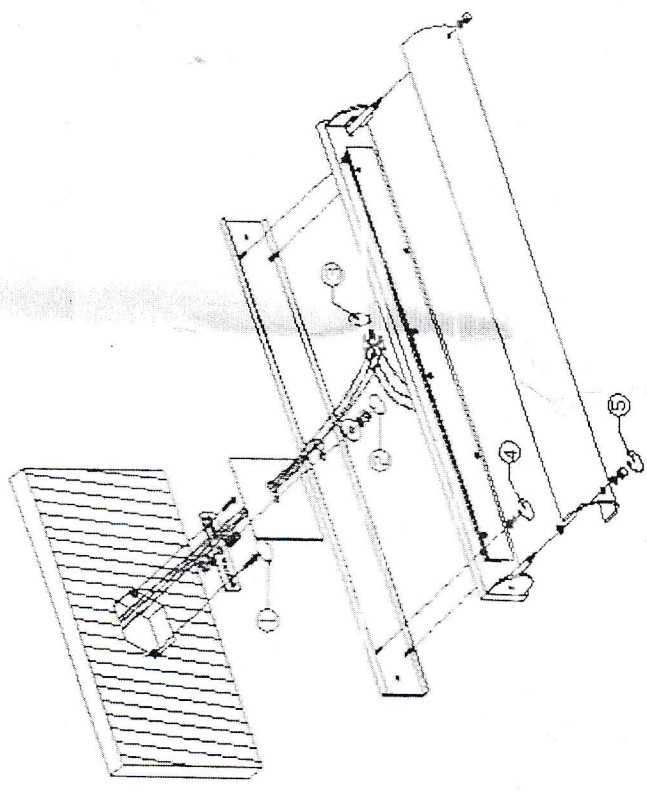
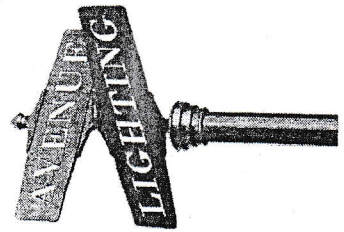


HF 1111, HF 1112, HF 1113

HF1111 HF1112 HF1113



- A: Copper ground wire to ground wire-if you only have two wires coming from the electrical box, connect the fixture's copper wire to the green ground screw on the mounting plate.
- B: White fixture wire to white supply wire.
- C: Black Fixture wire to black supply wire.



Avenue Lighting
 18324 OXNARD ST UNIT #2
 TARZANA, CA 91356
 (800)798-0409
www.AvenueLighting.com

MODEL: HF1111 HF1112
 HF1113

Warnings and Cautions:

Turn off electricity at circuit breaker or main fuse box before installation. Consult a licensed electrician if in doubt. These instructions are provided for your safety. It is very important you read them completely before installing the fixture. We strongly recommend that a licensed, professional electrician perform the installation. Disconnect fixture from power source before replacing bulbs. Make sure bulbs are given sufficient time to cool before removal. Do not subject glass parts to any shock while in operation or shattering may result.



Intertek
 5001831